

S911T Calibration Module

Electrical Data

Impedance	50Ω
Frequency range	DC to 13 GHz

Open	Phase deviation, max.
DC - 4 GHz	≤ 1.5°
4 GHz - 9 GHz	≤ 3°
9 GHz - 13 GHz	≤ 4.5°

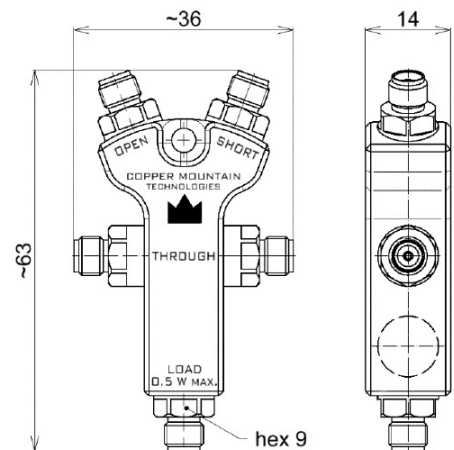
Short	Phase deviation, max.
DC - 4 GHz	≤ 1°
4 GHz - 9 GHz	≤ 2°
9 GHz - 13 GHz	≤ 3.5°

Load	
Resistance	50Ω ± 0.5Ω
Return Loss	
DC - 4 GHz	≥ 40 dB
4 GHz - 9 GHz	≥ 34 dB
9 GHz - 13 GHz	≥ 28 dB
Power rating, max.	0.5 W

Thru	
Electrical length	152.105 ps
Return loss	
DC - 4 GHz	≥ 34 dB
4 GHz - 9 GHz	≥ 28 dB
9 GHz - 13 GHz	≥ 25 dB
Insertion loss	0.0291 dB × √(GHz)
DC - 9 GHz	0.11 dB
9 GHz - 13 GHz	0.15 dB

Environmental Data

Operating temperature	5°C to 40°C
Storage temperature	-40°C to +70°C



all dimensions in millimeter

Coefficients

Open	$C_0 = -7.425 \times 10^{-15} \text{ F}$	
	$C_1 = 2470 \times 10^{-27} \text{ F/Hz}$	
	$C_2 = -226 \times 10^{-36} \text{ F/Hz}^2$	
	$C_3 = 6.18 \times 10^{-45} \text{ F/Hz}^3$	
	Offset delay	30.821 ps
	Offset length	9.24 mm
Short	$L_0 = 27.98 \times 10^{-12} \text{ H}$	
	$L_1 = -5010 \times 10^{-24} \text{ H/Hz}$	
	$L_2 = 303.8 \times 10^{-33} \text{ H/Hz}^2$	
	$L_3 = -6.13 \times 10^{-42} \text{ H/Hz}^3$	
	Offset delay	30.688 ps
	Offset length	9.2 mm
Thru	Electrical delay	127.588 ps
	Electrical length	38.25 mm

